

name@email.com
Go

Steinberger Gearless Tuner Installation

- KRAMER
- STEINBERGER
- ELECTAR
- MAESTRO
- YO GEAR
- AVANTE
- SHADOW
- TKL CASES
- WARNER BROS

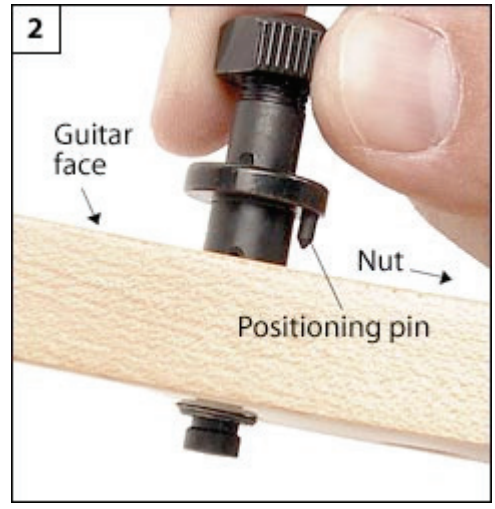


SEARCH BY CATEGORY

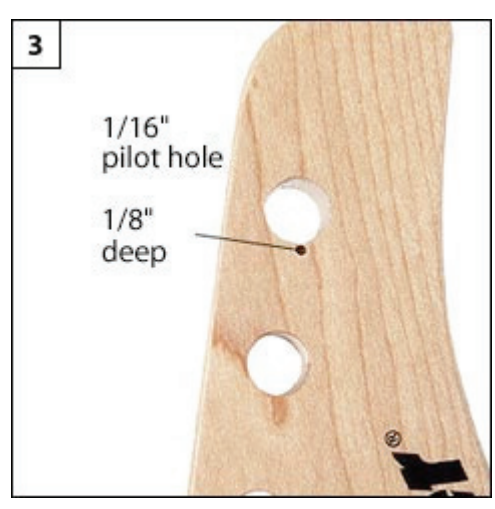
- Electric Guitars
- Basses
- Packages
- Acoustic Guitars
- Amps/PA



1. Loosen the 2 hex set screws that hold the knurled tuning knob to the tuner shaft and remove the knob.
Remove the white Teflon washer, the hex nut and the thick spacer from the shaft.



2. Insert the tuner shaft through the 3/8" (10mm) tuner hole on your guitar from the face (front side) of your headstock. Note there is a pointed positioning pin on the lip of the tuner. This pin **MUST** be positioned towards the nut.
Orient the pin and push down on the tuner to accurately make a small location mark on the face of the headstock next to the tuner hole.



3. Remove the tuner and drill a 1/16" pilot hole 1/8" deep. The fit will be snug, but will be pulled in tight when installation is complete.

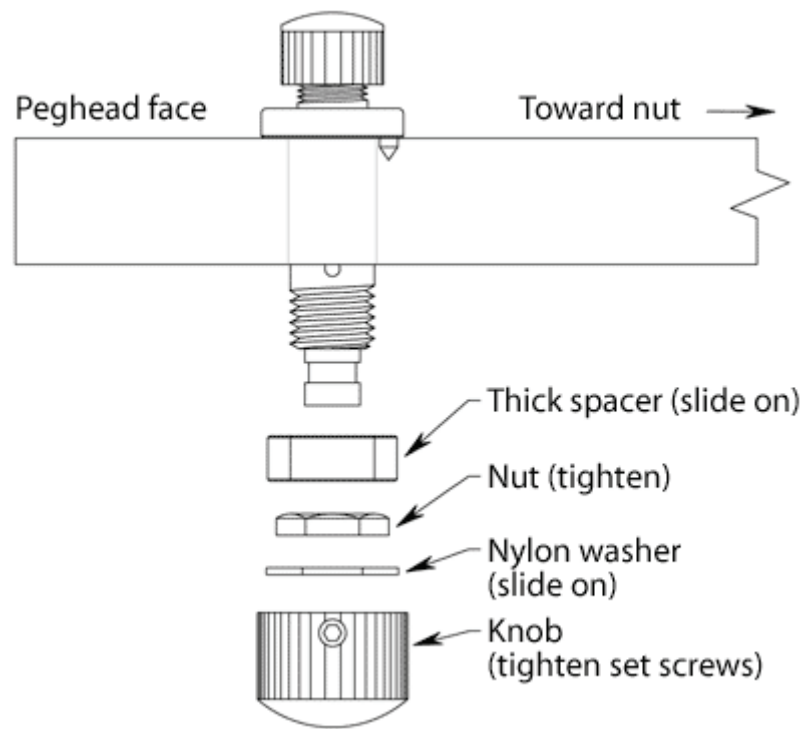


4. Insert the tuner again from the face side of your headstock, making sure to insert the pin in the hole that you drilled. From the back of the headstock, install the spacer and then the hex nut. Tighten the hex nut to secure the tuner. **CAUTION: Be careful not to over-tighten the hex nut as this will break the tuner. Typically, 1/4 turn after hand-tightening is sufficient.**

Install the white Teflon® washer and reposition the knurled tuning knob on the shaft.
Tighten the 2 hex set screws on the knob again.
Repeat the procedure for the other tuners.

It's very important to make sure that the knurled tuning knob is positioned on the shaft properly. If not, it will not turn properly or smoothly. You will note that the 2 hex set screws fit into a slot on the shaft. Make sure they position themselves directly in the slot. To ensure this, tighten the hex screws equally from both sides in increments. With each progressive tightening, wiggle the knob. This will help to ensure proper seating.

The tuners are lubricated. However, if needed, you can remove the knurled tuning knob and put a SMALL amount of graphite lubricant on both sides of the washer to ensure smooth operation.



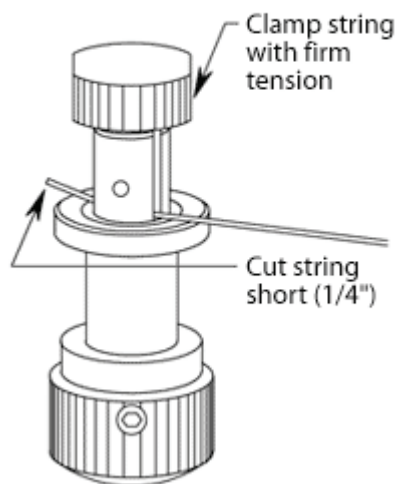
To Install Strings

Plain (G, B, & E) strings MUST have steel or silk wrapping at the ball ends, or be soldered, or they WILL DETUNE, during severe string bends.

1. Unscrew the tuning knob (larger knob on back of the headstock) clockwise all the way, so the string hole is fully exposed.

2. Unscrew the clamping knob (smaller knob on the front of the headstock) counterclockwise until the string hole is fully open.

String clamped and cut



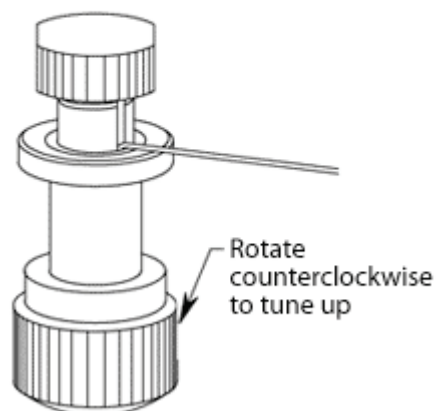
3. Insert the string through the string hole in the tuner. Pull the string tight.

4. Clamp the string in the tuner by turning the clamping knob clockwise as HARD as you can by hand.

Because the high E string can stretch so much, tilt the tremolo forward a bit and pull the string tight before clamping. This should be done on the high E only.

The clamping knob should be VERY tight to assure stable tuning.

String pulled down for tuning



5. Cut the string approximately 1/4" from the tuner post.

6. Tune the string with the tuning knob.

